



SUPERIOR QUALITY, CONSISTENT RESULTS

The Flomax fuel nozzle range is an all metal construction with nickel plated steel piston cylinder for greater lubricity and wear resistance. The stainless steel nose is one of the strongest in the industry and can be purchased with or without a swivel.

FLOMAX
INTERNATIONAL

- Constructed from aircraft grade aluminium
- Everything manufactured in-house
- Rigorous testing to ensure quality
- Patented backpressure sensor
- 1½" NPT nozzle delivering up to 680 lpm
- Special seals ensure nozzles always work in even the coldest conditions
- Plug included
- Lightest nozzle in the industry



53-FN600-NS-P
(Dog Lock Style)

FN600

PART NO.	DESCRIPTION
53-FN600	Fuel nozzle with swivel and plug
53-FN600-NS	Fuel nozzle no swivel with plug
53-FN600 PLUG	Fuel nozzle plug



53-FNBL-NS-P
(Ball Bearing Style)

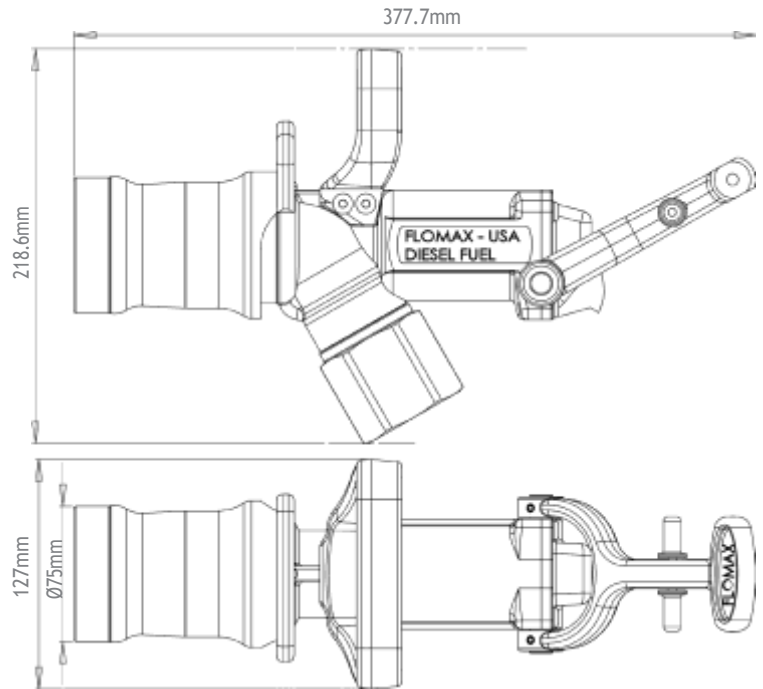
FNBL

PART NO.	DESCRIPTION
53-FNBL	Fuel nozzle with swivel no plug
53-FNBL-P	Fuel nozzle with swivel and plug
53-FNBL-P-NS	Fuel nozzle with plug no swivel

New Product Release: High Quality Diesel Fuel Nozzle

General Specifications

Flow rates	152 to 680 lpm (40 to 180 gpm)
Working pressure	8.6 bar (125 psi)
Burst pressure	17.2 bar (250 psi)
Standard shut-off	0.55 bar (8.0 psi)
Weight	2.67kg (5 lbs 14 oz)



Accessories

Please note that the nozzles can be ordered with or without swivels. Speak to your local sales rep for these options.

The below options are for without:



53-FNSID
(Double Swivel Nut)



53-FNS
(NPT M x NPT F Swivel)



53-FNS2
(NPT M x NPT F Swivel)

Other Great Products from Flomax

Don't forget that Flomax also do these great products and accessories listed below to help you get the most out of your refuelling system. From standard receivers to anti-theft removable sleeve receivers and swivels to suit most applications, Flomax has a product to suit your refuelling needs. Speak to your local sales representative.



53-FR-RS-C
(Receiver with Removable Sleeve)



Spectrix Flush Face
(NEW and Exclusive to JSG)



Non-Pressure Systems
(External or Internal available)



www.jsgindustrial.com

Every effort has been made to ensure all information and photographs contained in this publication were correct and accurate at time of printing, however no warranty is given in respect of this publication and JSG Industrial Systems Pty Ltd (JSG) shall not be liable for any error therein. Technical information, specifications and products shown may be subject to change without prior notice. Pictures shown are for illustration purposes only. **WARNING:** For sale and proper use consult instructions, the supplier or JSG. Contact your nearest JSG Distributor for latest information. © 2014 JSG Industrial Systems Pty Ltd., All rights reserved.

Unit 1, 21 Amour St Revesby NSW 2212
PO Box 333 Milperra NSW 2214
Ph: (02) 9914 8720 Fax: (02) 9914 8798
Email: jsgindustrial@jsg.com.au

